

QK-ELS2TW ELECTRIC LOCK

User manual

The electric lock QK-ELS2TW is fitted to increase the safety against burglary and vandalism it has to be placed at the base of the last shutter that closes.

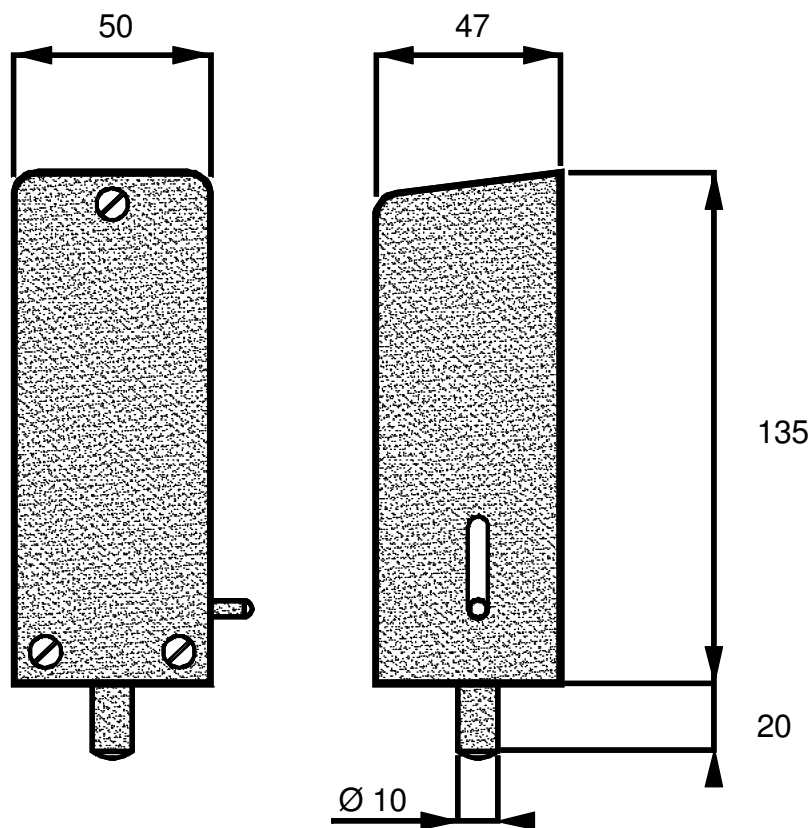
Use wires type H05VV-F of 1,5 mm section.

Wires and lock shall be electrically protected with a differential circuit breaker having a sensibility of $I_{\Delta n} = 30 \text{ mA}$.

The selection of the electric protection devices have to be arranged according to the electric feature of the material used and to the local rules and existing normative.

All the metallic parts that accidentally can contacts electric parts have to be connected to the ground (PE conductor).

The power supply cable shall be protected against crushing and cutting. Use a protection conduit



Power supply:	230 V 50 Hz
Current absorbed:	0,15 A
Work cycle	8 %



QUIKO ITALY
Via Seccalegno, 19
36040 Sossano (VI) - Italy
Tel. +39 0444 785513
Fax +39 0444 782371
info@quiko.biz
www.quikoitaly.com

